

Cabinet Locks

4138

Cylinder Cut Cupboard/Till Lock



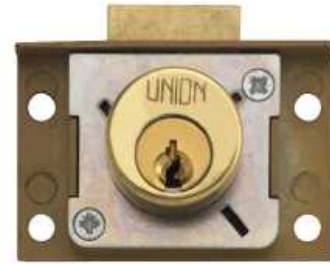
ASSA ABLOY

Application:

- For wooden doors, tills or drawers
- To suit doors or drawers up to 23mm material thickness

Specification:

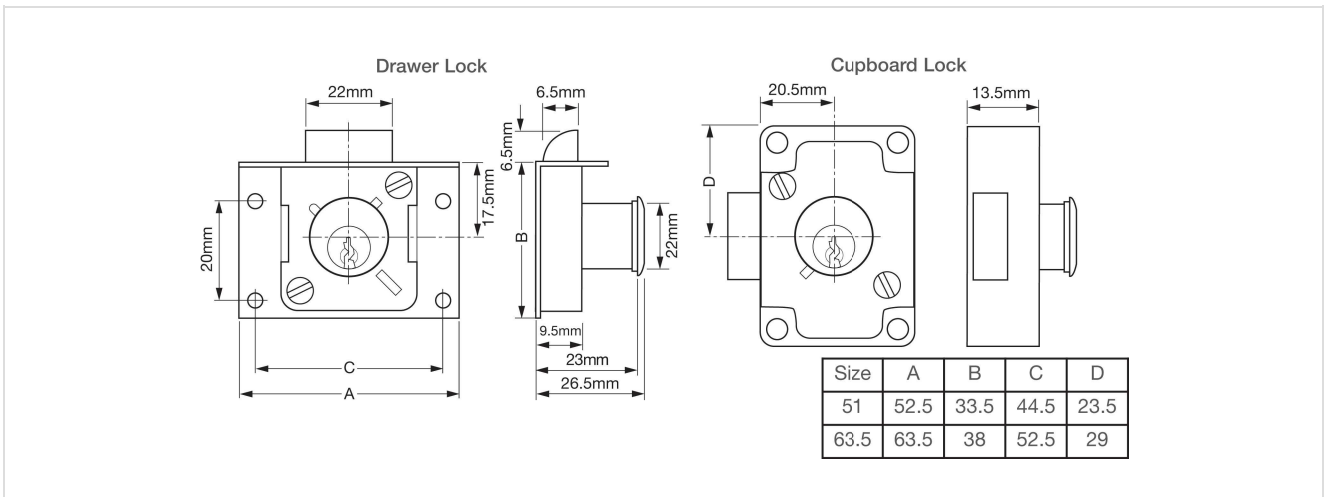
- Cylinder rotates to produce either a drawer lock or a right or left hand cupboard lock
- Upon closing the bolt is automatically engaged
- The bolt is withdrawn by key
- Case Size: 51mm (2") or 63.5mm (2.5")
- Cylinder Projection: 26.5mm
- Case: Zinc, gold enamel
- Cap: Steel, zinc plated
- Striking Plate: Brass, 4138-10, See separate page
- Deadbolt: Zinc, brass plated
- Cylinder Type: Zinc, with brass cap. 4-pin tumbler mechanism,
- Supplied with 2 nickel silver keys
- Key Blank Number: KB11-534-55



Finish:

- PL - Polished Brass
- SC - Satin Chrome

Technical Design:



Variants:

Code	Description
J4138-PL-2.00	Cylinder Drawer Lock
J4138-PL-2.50	Cylinder Drawer Lock
J4138-SC-2.00	Cylinder Drawer Lock
J4138-SC-2.50	Cylinder Drawer Lock